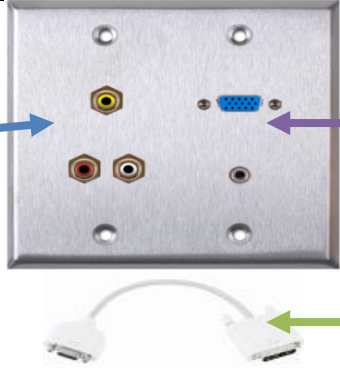
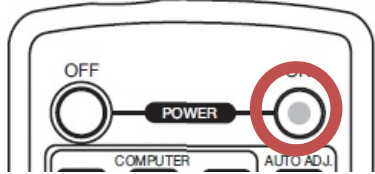
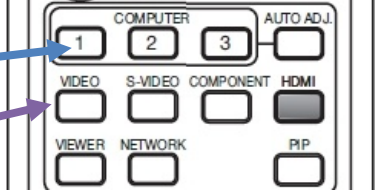
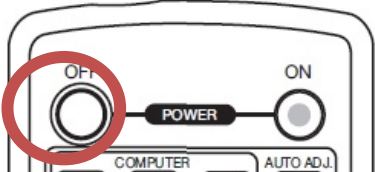


## Meeting Rooms 3201-3204

<p><b>Composite Video (VHS, DVD, Bluray)</b></p> <p>1. You may also connect a Disc Player, or other devices which use composite video . If cables are not supplied, you can request these at the SUB reservations desk.</p>		<p><b>Computer/Doc. Camera</b></p> <p>1. Make sure that you connect your computer or document camera and the wall plate using the supplied VGA/3.5mm cable.</p> <p>If you are using a Macintosh Computer you can request a <b>video adapter</b> at the SUB reservation desk.</p>
<p>2. Aim the remote at the remote sensor (small black solid rectangle) on the projector. Press the ON button on the remote. The power button on the projector will turn from a solid orange to blinking green. When you see a solid green light that means the projector is on.</p>		
<p>3. Select your video source using the remote control by pressing:</p> <p><b>COMPUTER 1</b> for a computer or the document camera  <b>Or</b>  <b>VIDEO</b> for a VCR, DVD Player, Bluray Disc Player, or other composite video device.</p>		
<p>4. Power on the device which you wish to use with the projector.</p> <p>5. When using a PC laptop, a combination of function keys will enable/disable the external display. Look for a key marked "CRT/LCD," "LCD" or with an icon which looks like a computer screen. Usually, the combination of the 'Fn' key along with one of the 12 function keys gets the external display to come on or off. For example, some Dell laptops use Fn + F8 key combinations to toggle through external display selections.</p>		
<p>6. Once finished hit the OFF button on the remote twice.</p> <p>7. Disconnect and power off your equipment.</p>		

## Using the Smartboard in 3204

In order to use any of the special features of the smartboard you will need to either use a Student Union Building laptop or you will need to install the smartboard software on your own laptop computer. You can borrow a setup CD from the SUB Reservations Desk. When installing the software, the setup application will request the model number, enter FX-DUO 77.

A user guide for the smartboard may be downloaded here:

<http://sub.truman.edu/techhowto/StarBoardSoftwareUsersGuide8.1.pdf>

**NOTE: NEVER USE MARKERS OF ANY TYPE ON THIS BOARD. USE ONLY THE PROVIDED STYLUS.**

1. Follow the instruction steps 1-5 on the previous page.
2. Connect the smartboard to your computer with the USB cable attached to the lower right of the smartboard.
3. After your notebook's display appears on the smartboard click on the Starboard Software icon on the desktop.
4. This toolbar will now appear:

